

BA1

| | | |
|--------|----|--------|
| XS1 | ←← | XP3 |
| BEEP + | 1 | BEEP + |
| BEEP - | 2 | BEEP - |

| | |
|---|-----|
| ← | XP1 |
| 1 | CLK |
| 2 | VPP |
| 3 | SDA |
| 4 | GND |
| 5 | E |

| | | |
|-------|----|-------|
| XP1 | →→ | XS17 |
| MIC - | 1 | MIC - |
| MIC + | 2 | MIC + |
| SP + | 3 | SP + |
| SP - | 4 | SP - |

- ⊕ A1
- ⊕ A2
- ⊕ A3
- ⊕ A4
- ⊕ AA
- ⊕ B5
- ⊕ B6
- ⊕ B7
- ⊕ B8
- ⊕ BB
- ⊕ CC
- ⊕ CD
- ⊕ CE
- ⊕ CF
- ⊕ CG

| | | |
|------|----|------|
| XS1 | ←← | XP2 |
| +15V | 1 | +15V |
| GND | 2 | GND |

| | | | | |
|----------|---|----------|----|----------|
| +15 V | ○ | XS16 | ←← | XP1 |
| GND | ○ | GND | 2 | GND |
| VIDEO IN | ○ | VIDEO IN | 3 | VIDEO IN |

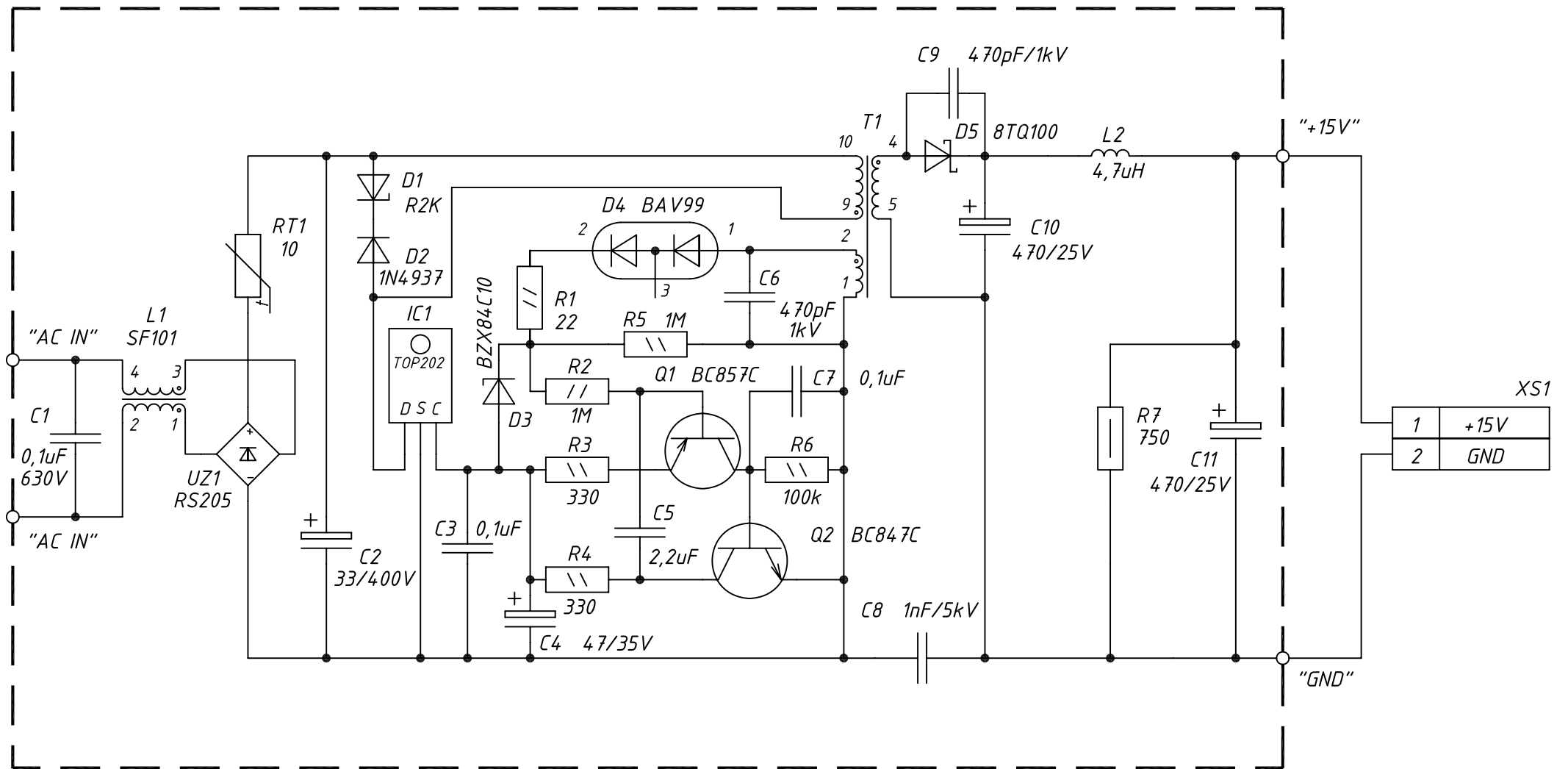
| | | |
|---------|----|---------|
| XP4 | →→ | XS1 |
| RING | 1 | RING |
| CTRL | 2 | CTRL |
| +5V | 3 | +5V |
| GND | 4 | GND |
| POWER | 5 | POWER |
| MONITOR | 6 | MONITOR |
| LOCK | 7 | LOCK |

| | | |
|-------|----|-------|
| XP3 | →→ | XS1 |
| +12V | 1 | +12V |
| GND | 2 | GND |
| GND | 3 | GND |
| VIDEO | 4 | VIDEO |
| BRT | 5 | BRT |
| COLOR | 6 | COLOR |
| CONT | 7 | CONT |

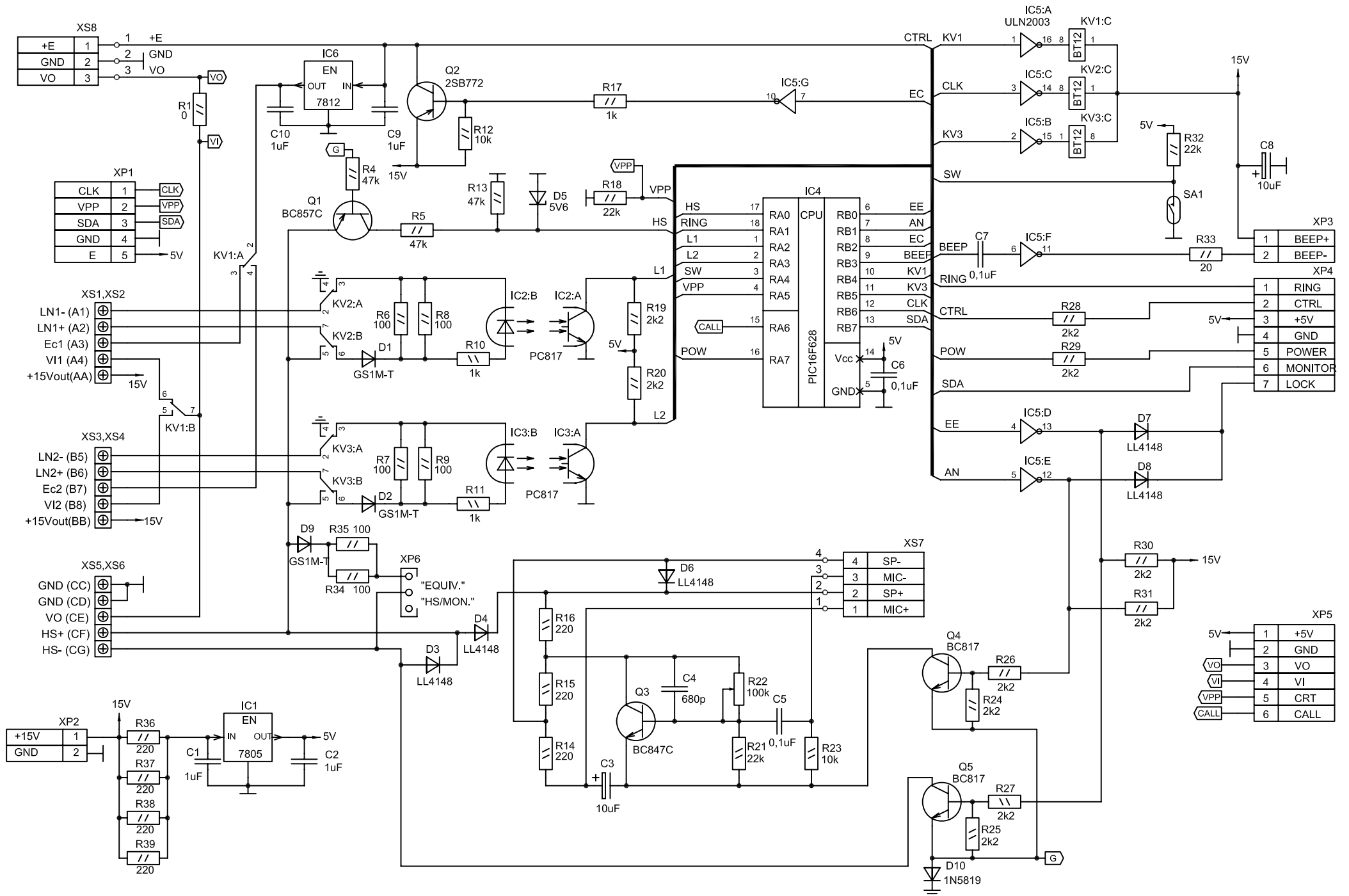
| | | |
|-------|----|-------|
| XP2 | →→ | XS2 |
| BRT | 1 | BRT |
| GND | 2 | GND |
| CONT | 3 | CONT |
| COLOR | 4 | COLOR |

| | |
|----|-----------------|
| →→ | 7P |
| 1 | Vcc |
| 2 | GND |
| 3 | GND |
| 4 | V _{IN} |
| 5 | V _{DD} |
| 6 | BRT |
| 7 | COL |

| | | |
|-------|---|---|
| BRT | ○ | 1 |
| GND | ○ | 2 |
| CONT | ○ | 3 |
| COLOR | ○ | 4 |

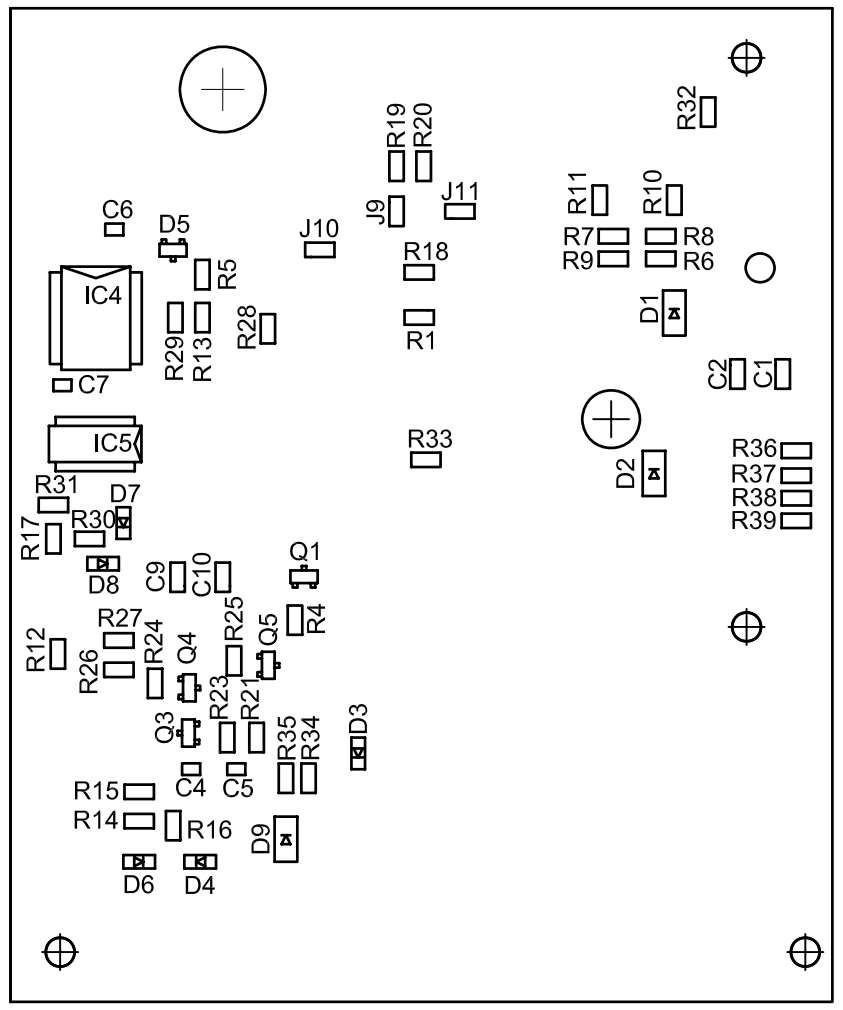
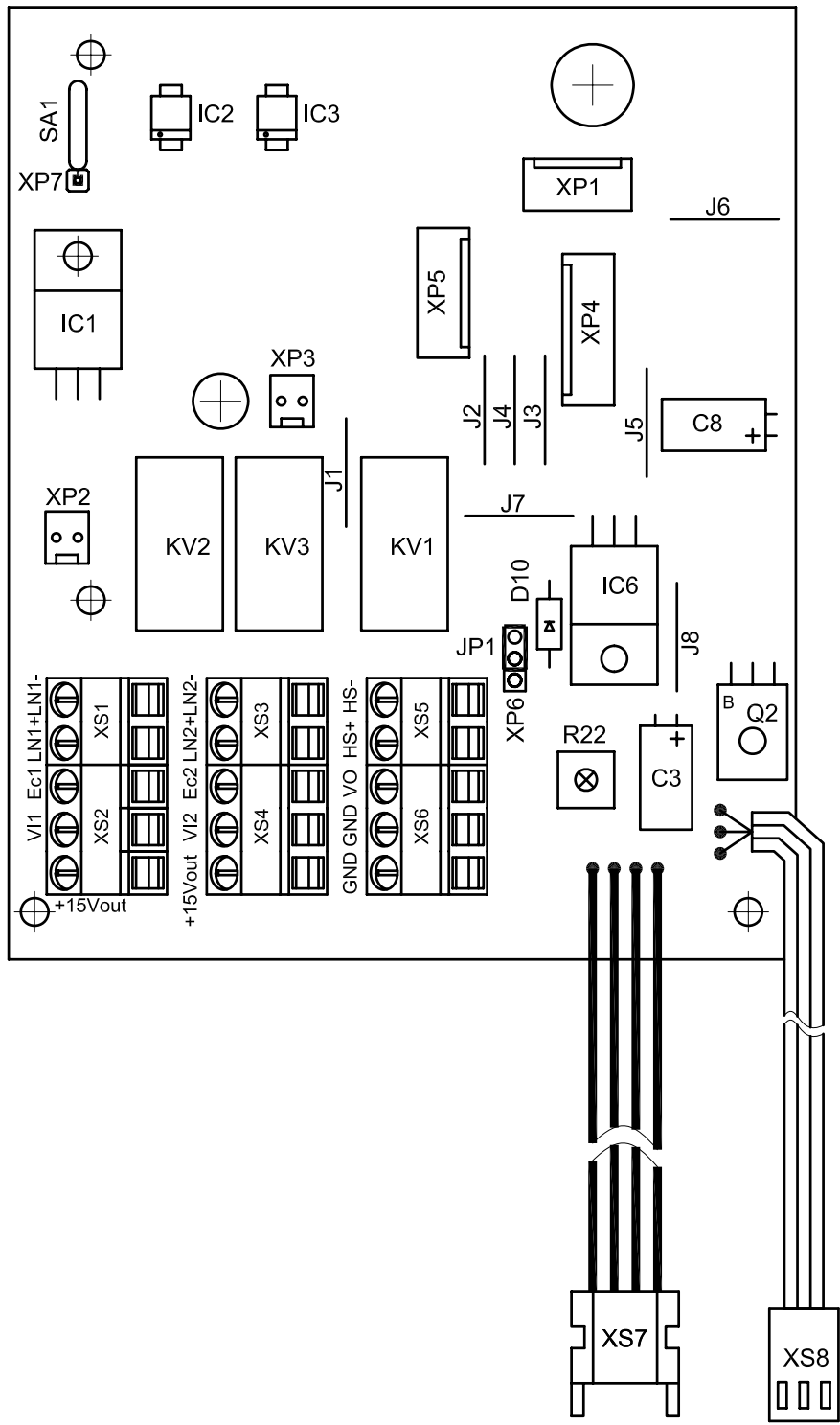


Модуль питания PM15-2-3
 Схема электрическая принципиальная

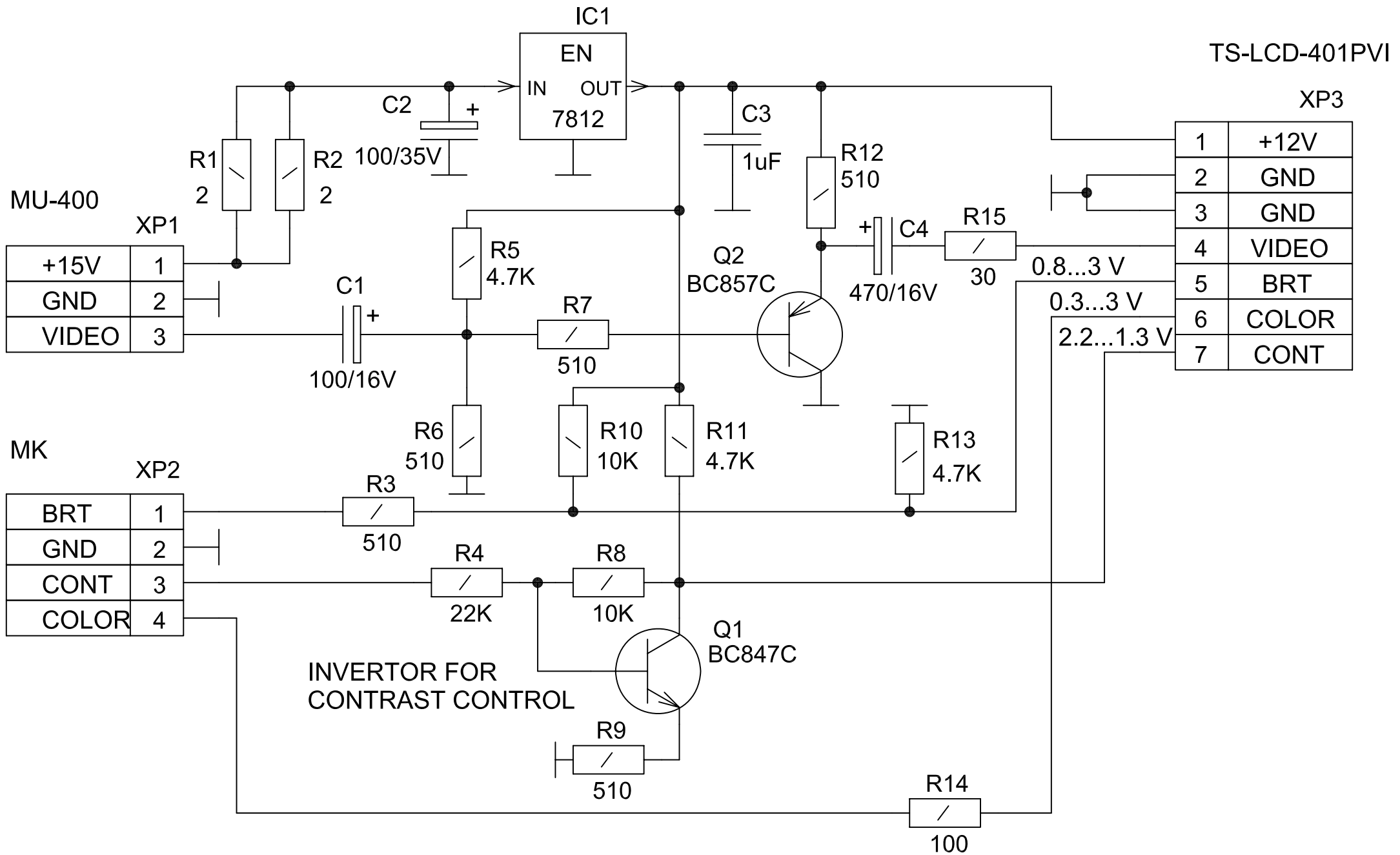


Плата МУ-400

Схема электрическая принципиальная

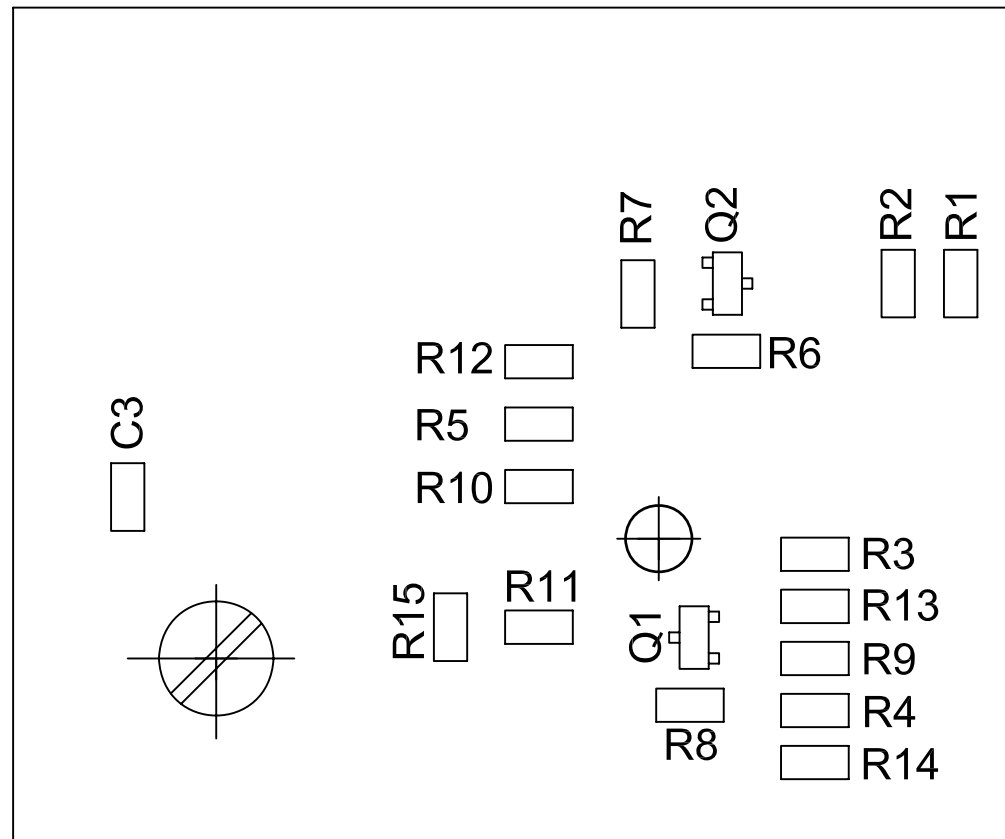
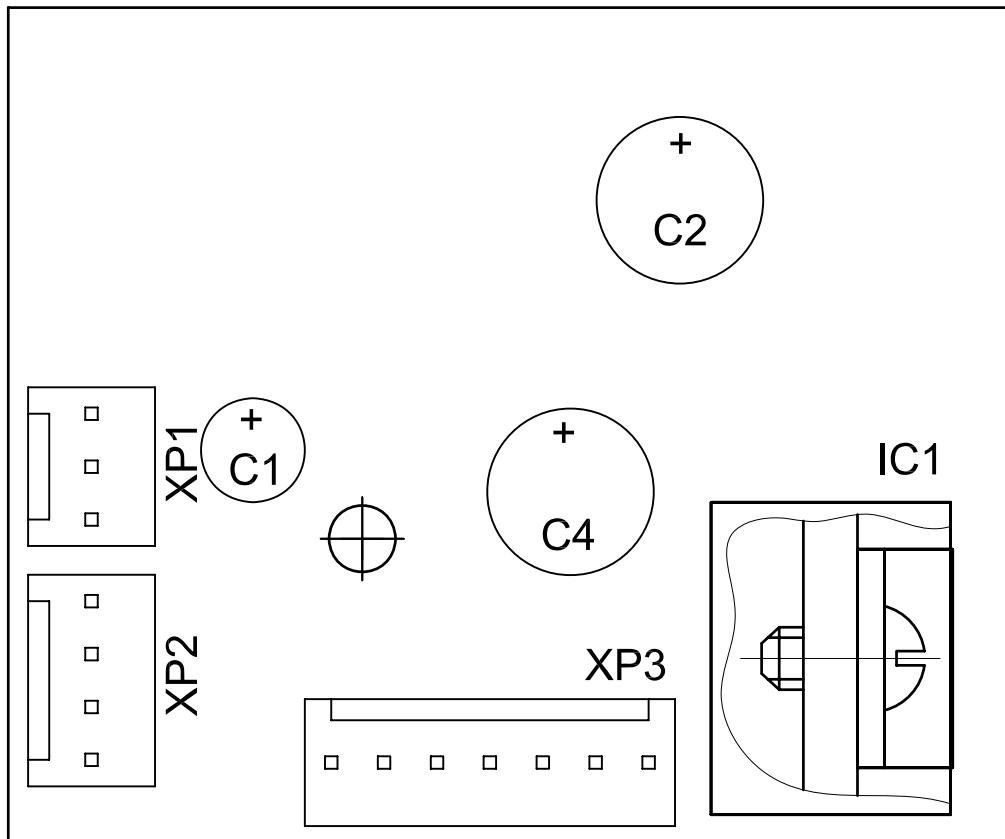


Плата МУ-400
 Сборочный чертеж

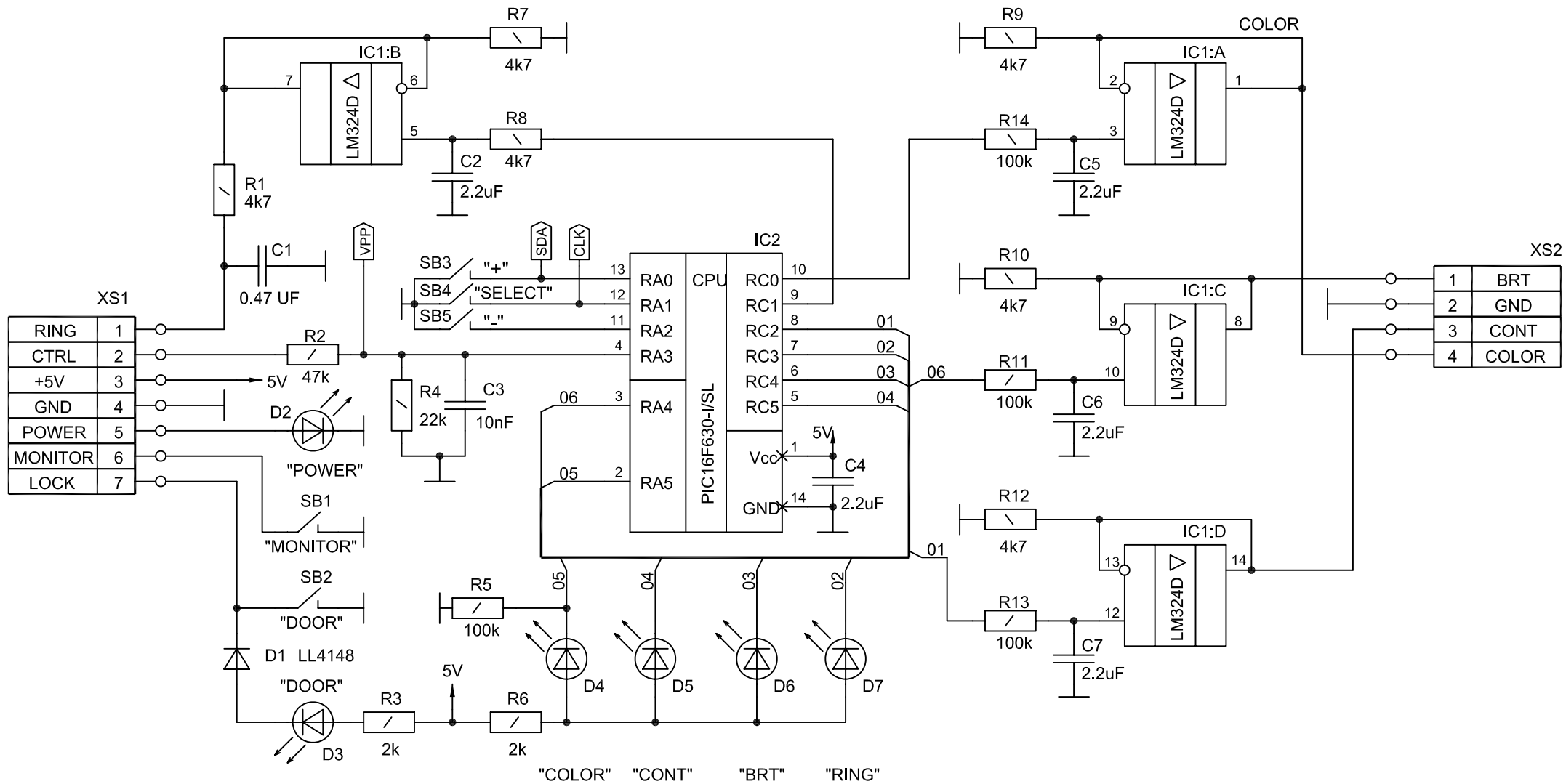


Плата MP-4

Схема электрическая принципиальная

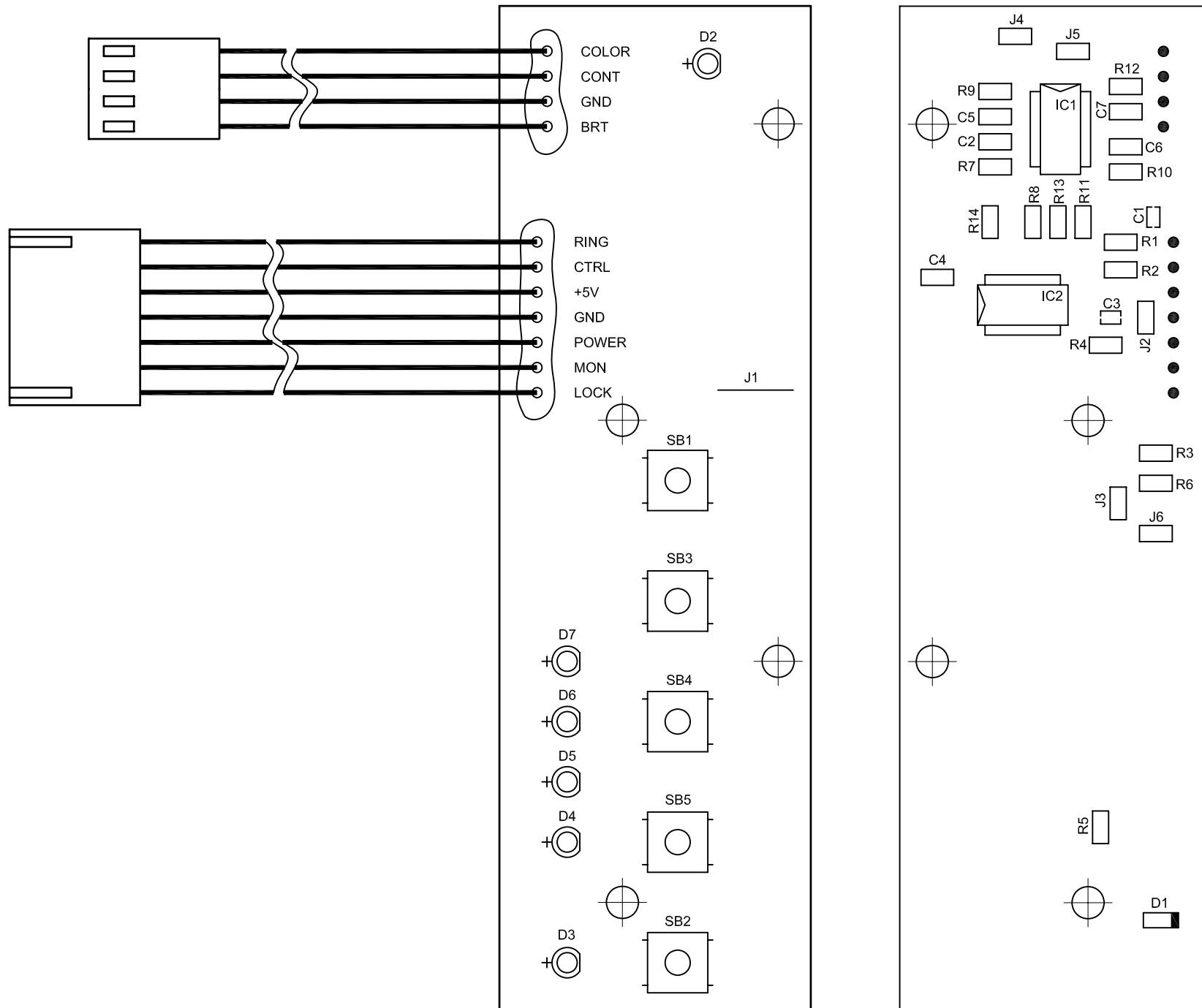


Плата МР-4
Сборочный чертеж



Плата МК-5

Схема электрическая принципиальная



Плата МК-5
Сборочный чертеж